

TYPE

MD

## 415 Volt General Purpose Fuse-links to BS88: Part 1: 1988

Lawson Type "MD" ferrule fuse-links are for general purpose usage in three phase sub-circuits.

The fuse-links comply with BS88: Part 1: 1988 and though not dimensionally standardized, also meet the supplementary and additional requirements of Sections 2.1 and 2.2 of BS88: Part 2: 1988.

This latest edition of BS88 retains the features of its predecessor and includes extra provision to standardize and enhance fuse-link performance.

Since Type "MD" fuse-links complying with the now superseded BS88: Part 1: 1975 already met these extra provisions, the technical performance of the range is unaltered by the introduction of BS88: Part 1: 1988 and fuse-links marked in accordance with the previous edition may continue to be used where this latest standard now applies.

BS88: 1988 includes criteria to define fuse-link characteristics more exactly than in the past, improving discrimination between current ratings to a ratio of 1.6:1, thus enabling more precise selection of fuse-links to match circuit conditions.

Type "MD" fuse-links have the classification "gG" ensuring compliance with the 15th Edition of the IEE Wiring Regulations, and also with the proposed 16th Edition which takes into account IEC 364 for the Electrical Installation of Buildings.

Type "MD" fuse-links have pre-arcing  $I^2t$  values at 0.01 sec. in the lower half of the standardized ranges. Investigations by the IEC Fuse Committee have shown that satisfactory co-ordination with contactors is achieved by fuse-links with pre-arcing  $I^2t$  values in this region.

With a breaking capacity of 80kA, Type "MD" fuse-links can be incorporated in circuits with high fault levels such as industrial installations.

Power dissipations substantially below the standardized limits result in low temperature rises, with the additional benefit of energy conservation savings through a reduction in wasteful watts losses.

Small dimensions, high breaking capacity and replacement without tools are features of these fuse-links which offer advantages in a variety of applications.

The range has a rated voltage ( $U_n$ ) of 415V a.c. and has been certified at a test recovery voltage of at least 110%. The fuse-links are therefore suitable for use on systems with voltages up to 457V a.c.

Type "MD" fuse-links have been approved by leading authorities including Lloyds Register of Shipping.

The fuse-links are independently ASTA Certified to the rules of the 1989 Edition of the ASTA 20 Scheme under which they are Authorised to bear the endorsement "ASTA <sup>(20)</sup>CERT".

Lawson Fuses Limited is BS5750 Approved.

### Specification

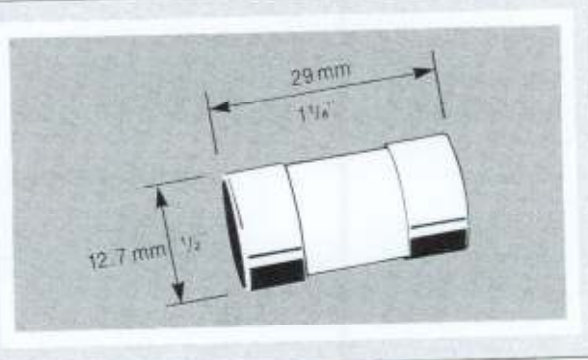
Rated Voltages: 415V a.c., 250V d.c.

Breaking Range and Utilization Category: gG

Rated Breaking Capacities: 80kA at 415V a.c., 40kA at 250V d.c.

### Current Ratings and Principal Dimensions

Current Rating (A)	List Reference
2	MD2
4	MD4
6	MD6
8	MD8
10	MD10
16	MD16
20	MD20
25	MD25
32	MD32



**LAWSON FUSES LTD**

Meadowfield, Ponteland, Newcastle upon Tyne NE20 9SW, U.K.

Telephone (0661) 23232  
Telex 538227 LAWBUS G  
TeleFax (0661) 24213

TYPE "MD" GENERAL PURPOSE FUSE-LINKS  
COMPLYING WITH BS88:PART 1:1988/IEC269-1:1986  
and also meeting  
THE ADDITIONAL AND SUPPLEMENTARY PERFORMANCE REQUIREMENTS  
OF BS88:PART 2 (SECTIONS 2.1&2.2):1988, IEC269-2-1(SECTION II):1988

RATED VOLTAGES

415Va.c., 250Vd.c.

CURRENT RATINGS

2A to 32A

RATED BREAKING CAPACITIES

80kA at 415Va.c., 40kA at 250Va

BREAKING RANGE AND UTILIZATION CATEGORY

"gG"

OUTLINE DIMENSIONS

SK470

TIME/CURRENT CHARACTERISTICS

SK471

TYPE "MD" GENERAL PURPOSE FUSE-LINKS  
COMPLYING WITH BS88:PART 1:1988/IEC269-1:1986  
and also meeting  
THE ADDITIONAL AND SUPPLEMENTARY PERFORMANCE REQUIREMENTS  
OF BS88:PART 2 (SECTIONS 2.1&2.2):1988, IEC269-2-1(SECTION II):1988

RATED VOLTAGES

415Va.c., 250Vd.c

CURRENT RATINGS

2A to 32A

RATED BREAKING CAPACITIES

80kA at 415Va.c., 40kA at

BREAKING RANGE AND UTILIZATION CATEGORY

"gG"

OUTLINE DIMENSIONS

SK470 ,

TIME/CURRENT CHARACTERISTICS

SK471

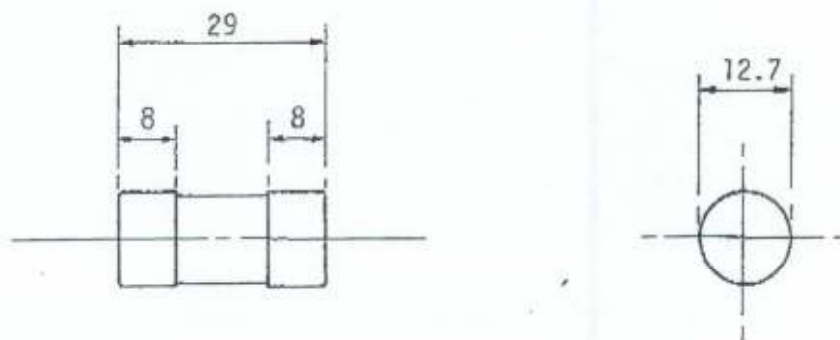
ASTA CERTIFICATES

8296  
8341  
8361  
9373

ASTA AUTHORISATIONS

A4055 - A4060 incl

DIMENSIONS in mm



CURRENT RATINGS (AMPERES)

2, 4, 6, 10, 16, 20, 25, 32

BS 88:PART 1:1988 / IEC 269-1:1986  
BREAKING RANGE AND UTILIZATION CATEGORY "gG"  
RATED VOLTAGES 415V a.c., 250V d.c.  
RATED BREAKING CAPACITIES 80kA at 415V a.c., 40kA at 250V d.c.  
ASTA 20 CERTIFIED

**OUTLINE DIMENSIONS**

TYPE "MD" GENERAL PURPOSE FUSE-LINKS

**SK470**

**LAWSON FUSES LIMITED**

MEADOWFIELD, PONTELAND, NEWCASTLE UPON TYNE, NE20 9SW, U.K.

ISSUE

1

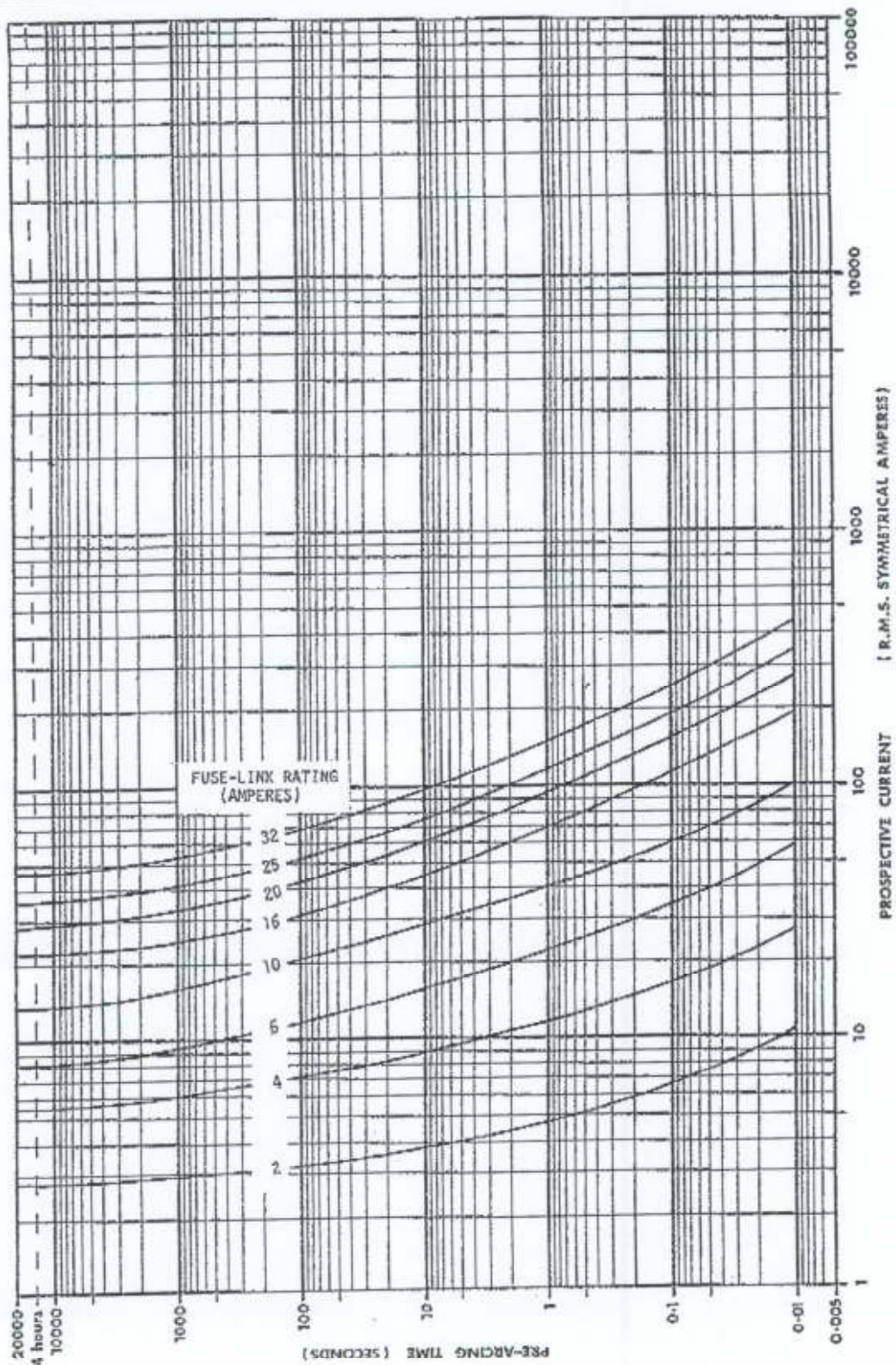
DATE

31.3.90

✓

CML





BS 88:PART 1:1988 / IEC 269-1:1986  
 BREAKING RANGE AND UTILIZATION CATEGORY "gG"  
 RATED VOLTAGES 415V a.c., 250V d.c.  
 RATED BREAKING CAPACITIES 80kA at 415V a.c., 40kA at 250V d.c.  
 ASTA 20 CERTIFIED

**TIME/CURRENT CHARACTERISTICS**  
 TYPE "MD" GENERAL PURPOSE FUSE-LINKS

**SK471**

**LAWSON FUSES LIMITED**  
 MEADOWFIELD, PONTELAND, NEWCASTLE UPON TYNE, NE20 9SW, U.K.

ISSUE  
1

DATE  
31.3.90

✓  
CML