

**ELECTRICITY SUPPLY FUSE-LINKS**

**TYPE J**

**400/415 Volt Electricity Supply Distribution Fuse-Links to BS88: Part 5 •IEC60269-2 Pending**

Rated voltage: 415V a.c. Rated breaking capacity: 80kA at 415V a.c.



Lawson Type "J" fuse-links are for use in a.c. electricity supply networks. They are installed in distribution boards, feeder pillars, link boxes, pole mounted cut-outs and heavy duty service intakes. The range includes all the current ratings specified in BS88: Part 5 for fuse-links with the standard 82mm and 92mm fixing centres, together with additional non-specified current ratings. A similar range of fuse-links with non-standard 76mm fixing centres is available in ratings up to 315 Amps. In addition, a range of cylindrical fuse-links up to 315 Amps, with the same characteristics as the tagged pattern, is available for installation in pole mounted cut-outs.



The range has a rated voltage of 415V a.c. and has been certified at a test recovery voltage of 110%. These fuse-links are therefore suitable for use on systems with voltages up to 457V a.c. The rated and test voltages also ensure that the range meet all the transitional voltage requirements specified within the harmonised nominal voltage of 400V a.c.

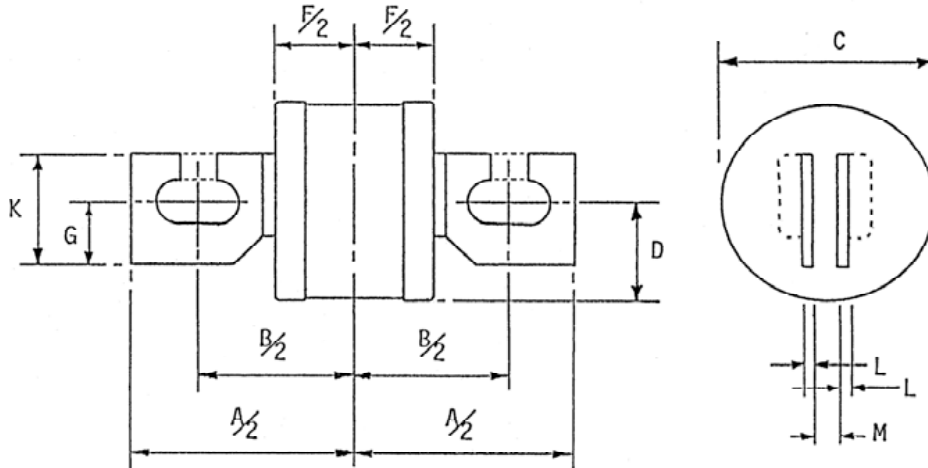
**Performance Data and Product Detail**

**Performance Data - Electricity Supply Fuse-Links**

List Reference	Current Rating (A)	Voltage Rating (V)	Breaking Capacity (kA)	BS Standard	IEC Standard	Carton Quantity
JPU	20,32,40,50,63,80,100,125	415a.c.	80kA a.c.	BS88: Part 5	IEC 60269-2 (Pending)	5
JPU	160,200,250					5
JPU	315,355,400					5
JPU	450,500,560,630					1
JSU	20,32,40,50,63					5
JSU	80,100,125,160,200					5
JSU	250,315,355,400					5
JSU	450,500,560,630					1
JSU	800					1
JHU	20,32,40,50,63					5
JHU	80,100,125,160					5
JHU	200,250,315					5
JF	20,32,40,50,63,80					5
JF	100,125,160,200					5
JF	250,315					5

See page 26 for the time / current and cut-off current characteristics.

**Principal Dimensions**



**Notes:**

JPU 450,500,560 and 630A ratings are restricted to intermittent loading when installed in 400A fixed contacts.

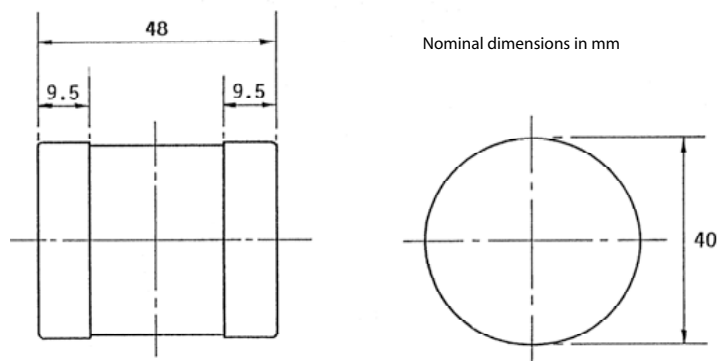
JSU 800A rating is restricted to intermittent loading when installed in 630A fixed contacts.

BS88: Part 5 specifies performance requirements for ratings only up to and including 630A, therefore the performance characteristics of JSU 800 Amp rating comply with BS88: Part 2.

Non slotted tag variant fuse-links are available, details on request.

BS88 Ref.	Type Ref.	Current Ratings (A)	Dimensions (mm)								
			A max	B nom	C max	D max	F max	G nom	K max	L nom	M max/min
<b>STANDARDIZED DIMENSIONS</b>											
	JPU	20*,32*,40*,50*,63*,80,100,125*	112	82	26	14	45	18	31	2.4	6.53 6.45
	JPU	160	112	82	31	16	45	18	31	2.4	
	JPU	200,250	112	82	35	18	45	18	31	2.4	
	JPU	315,355,400	112	82	41	18	45	18	31	2.4	
	JPU	450*,500*	112	82	51	18	45	18	31	2.4	
	JPU	560*,630*	112	82	61	21	45	18	31	2.4	8.13 8.05
	JSU	20*,32*,40*,50*,63*,80,100,125*,160	132	92	31	16	45	22	38	3.2	
	JSU	200,250	132	92	35	17	45	22	38	3.2	
	JSU	315,355,400	132	92	41	20	45	22	38	3.2	
	JSU	450*500	132	92	51	20	45	22	38	3.2	
	JSU	560*630	132	92	61	25	45	22	38	3.2	
	JSU	800*	132	92	73	25	45	22	38	3.2	
<b>NON-STANDARDIZED DIMENSIONS</b>											
	JHU	20*,32*,40*,50*,63*,80*,100,125*,160	100	76	31	11	45	18	31	1.6	4.25 4.17
	JHU	200,250	100	76	35	13	45	18	31	1.6	
	JHU	315	100	76	41	12	45	18	31	1.6	

\* Non-Standardized current rating additional to BS88: Part 5



Type Ref	Current Ratings (A)
JF	20*,32*,40*,50*,63*,80*,100,125*,160,200,250,315

\* Non-Standardized current rating additional to BS88: Part 5

