

INDUSTRIAL FUSE-LINKS WITH BOLTED CONNECTIONS

TYPE N&T

400/415 Volt Industrial Fuse-Links with Bolted Connections to BS88: Part 2 • IEC60269-2 • EN60269-2

Rated voltages: 415V a.c., 250V d.c. Breaking range and utilization category: gG Rated breaking capacities: 80kA at 415V a.c, 40kA at 250V d.c.



Lawson Type "N" & "T" fuse-links are for use in industrial installations and can be fitted into BS88 bolted fuse-holders and distribution fusegear. The range includes all BS88: Part 2 reference fuse-links up to 800 Amps and has gG classification, ensuring compliance with the current edition of the UK Wiring Regulations. Many non-reference tag variants are available to cater for installation in non-standard or specialised equipment.

The range has a rated voltage of 415V a.c. and has been certified at a test recovery voltage of at least 110%. These fuse-links are therefore suitable for use on systems with voltages up to 457V a.c. The range also has a rating of 250V d.c. A complementary range of solid/neutral links is available to suit our fuse-link range.

Product Detail

Product detail - Offset Tag Fuse-Links

List Reference	Current Rating (A)	BS88 Reference	Voltage Rating (V)	Breaking Capacity (kA)	BS Standard	IEC Standard	Carton Quantity	Carton Weight (Kg)
NIT	2,4,6,10,16,20,25,32	A1	415a.c. 240d.c.	80kA-a.c. 40kA-d.c.	BS88: Part 2	60269-2	10	0.13
GTIA	2,4,6,10,16,20,25,32	A2					10	0.20
TIA	2,4,6,10,16,20,25,32	A2					10	0.54
TIS	35,40,50,63,	A3					10	0.58
TIS	80,100,125	A3					10	0.70
TCP	6,10,16,20,25,32,	A4					5	0.46
TCP	40,50,63,80,100	A4					5	0.52
TFP	125,160,200	(as A4)					5	0.82
85TM	200,250,315,355,400	-					1	0.46
86 TT	450,500,560,630,	-					1	0.58
86 TT	670,710,750,800	-	1	0.70				

Product detail - Central Tag Fuse-Links

List Reference	Current Rating (A)	BS88 Reference	Voltage Rating (V)	Breaking Capacity (kA)	BS Standard	IEC Standard	Carton Quantity	Carton Weight (Kg)
TB	2,4,6,10,16,20,25,	-	415a.c. 240d.c.	80kA-a.c. 40kA-d.c.	BS88: Part 2	60269-2	10	0.60
TB	32,35,40,50,63	-					10	0.60
TBC	2,4,6,10,16,20,25,	(as B1)					10	0.62
TBC	32,35,40,50,63	(as B1)					10	0.62
TC	80,100	B1					5	0.58
TF	125,160,200	B2					5	0.85
84TF	80,100,125,160,200	-					5	0.94
TKF	250,315	B3					1	0.23
84TK	250,315	-					1	0.23
TKM	125,160,200,250,315	-					1	0.28
TMF	315,355,400	B4	1	0.43				
TM	250,315,355,400	C1	1	0.55				
TMT	355,400	-	1	0.60				
TTM	450,500,560,630	C2	1	0.74				
TT	450,500,560,630	-	1	0.60				
TLM	670,710,750,800	C3	1	1.00				
TLT	670,710,750,800	-	1	1.30				
TLU	450,500,560,630	D1	1	1.50				
TLU	670,710,750,800	D1	1	1.50				

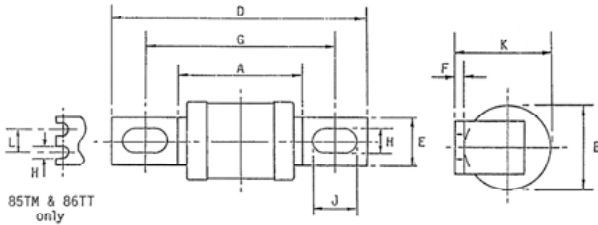
See pages 22 & 23 for the time/current and cut-off current characteristics.
See pages 10 & 11 for Motor Circuit Protection.



INDUSTRIAL FUSE-LINKS WITH BOLTED CONNECTIONS

TYPE N&T

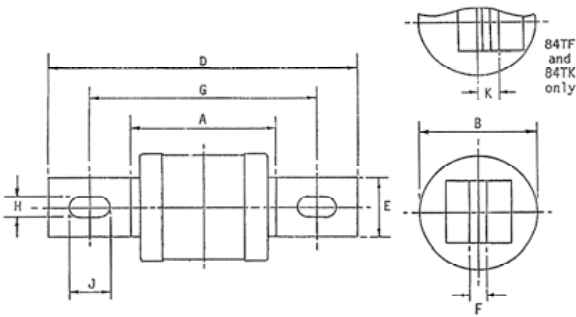
Dimensional Drawings



BS88: Part 2 reference 'A' fuse-link dimensions and tag variants

BS88 Ref.	Type Ref.	Current Ratings (A)	Dimensions (mm)									
			A max	B max	D max	E max	F nom	G nom	H nom	J nom	K max	L nom
A1	NIT	2,4,6,10,16, 20,25*,32*	33	12.7	56	9.5	0.8	44.5	4.8	OPEN SLOTT	14.3	
A2	GTIA	2,4,6,10,16, 20,25,32	34	14.3	86	9	1.2	73	5.5	8	16	
A2	TIA	2,4,6,10,16, 20,25,32	49	22	86	9	1.2	73	5.5	8	24	
		35*,40,50,63, 80*,100*,125*	49	26	89	13	1.2	73	5.5	OPEN SLOTT	28	
A4	TCP	6,10,16,20,32,40,50,63	51	22	110	20	2.4	94	8.7	11	25	
		80,100	51	26	110	20	2.4	94	8.7	11	29	
as A4	TFP	125,160,200	51	35	110	20	2.4	94	8.7	11	38	
-	85TM	200,250,315,355*,400	56	51	117	45	4.8	102	8.7	OPEN SLOTT	45	22
-	86TT	450*,500,560*,630	56	61	117	45	4.8	102	8.7	OPEN SLOTT	54	22
		670*,710*,750*,800	56	73	117	45	4.8	102	8.7	OPEN SLOTT	61	22

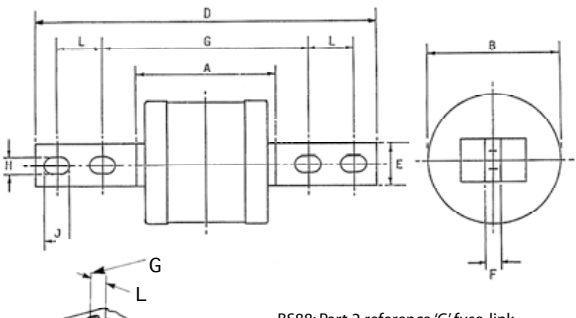
* Non-Standardized current rating additional to BS88: Part 2



BS88: Part 2 reference 'B' fuse-link dimensions and tag variants

BS88 Ref.	Type Ref.	Current Ratings (A)	Dimensions (mm)									
			A max	B max	D max	E max	F nom	G nom	H nom	J nom	K max	
-	TB	2,4,6,10,16,25,32,35*,40,50,63	45	22	111	13	1.2	97	7.1	13		
as B1	TBC	2,4,6,10,16,25,32,35*,40,50,63	45	22	137	15	1.4	111	8.7	14		
B1	TC	80,100	45	26	137	20	3.2	111	8.7	14		
B2	TF	125,160,200	45	35	137	20	3.2	111	8.7	14		
-	84TF	80,100,125,160,200	45	35	121	20	3.2	99	8.7	14	5	
B3	TKF	250,315	45	41	137	26	3.2	111	8.7	14		
-	84TK	250,315	45	41	121	26	3.2	99	8.7	14	8	
-	TKM	125,160,200,250,315	45	41	159	26	3.2	133	10.3	14		
B4	TMF	315,355*,400	52	51	137	26	6.4	111	8.7	16		

* Non-Standardized current rating additional to BS88: Part 2



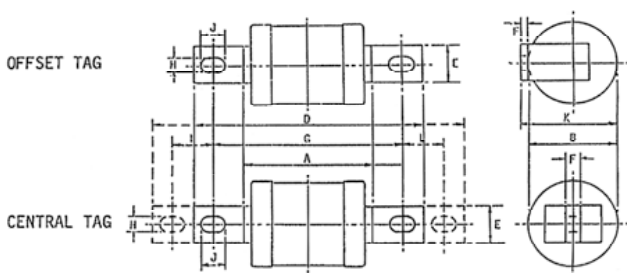
Parallel tag fixings on TLU only

BS88: Part 2 reference 'C' fuse-link dimensions and tag variants

BS88 Ref.	Type Ref.	Current Ratings (A)	Dimensions (mm)									
			A max	B max	D max	E max	F nom	G nom	H nom	J nom	L nom	
C1	TM	250*,315*,355*,400	52	51	210	26	6.3	133	10.3	16	25.4	
-	TMT	355*,400	52	61	267	26	6.3	165	10.3	16	31.8	
C2	TTM	450*,500,560*,630	54	61	210	26	7.8	133	10.3	16	25.4	
-	TT	450*,500,560*,630	54	61	267	26	7.8	165	10.3	16	31.8	
C3	TLM	670*,710*,750*,800	56	73	210	26	9.5	133	10.3	16	25.4	
-	TLT	670*,710*,750*,800	56	73	267	26	9.5	165	10.3	16	31.8	
D1	TLU	450*,500,560*,630 670*,710*,750*,800	56	73	267	26	9.5	149	10.3	16	31.8	

* Non-Standardized current rating additional to BS88: Part 2

Motor Circuit Protection Fuse-Links see pages 10 & 11



BS88 Ref.	Type Ref.	Current Ratings (A)	Dimensions (mm)									
			A max	B max	D max	E max	F nom	G nom	H nom	J nom	K max	L nom
Offset Tag												
A1	NIT	20M25,32	33	12.7	56	9.5	0.8	44.5	4.8	OPEN SLOTT	14.3	
A2	TIA	32M40,50,63	49	22	86	9	1.2	73	5.5	8	24	
A3	TIS	63M80,100M125	49	26	89	13	1.2	73	5.5	OPEN SLOTT	28	
A4	TCP	100M125,160,200	51	35	110	20	2.4	94	8.7	11	38	
as A4	TFP	200M250,315	51	41	110	20	2.4	94	8.7	11	45	
Central Tag (single hole)												
-	TB	63M80,100	45	26	111	13	1.2	97	7.1	13	-	
as B1	TBC	63M80,100	45	26	137	20	3.2	111	8.7	14	-	
B1	TC	100M125,160,200	45	35	137	20	3.2	111	8.7	14	-	
B2	TF	200M250,315	45	41	137	20	3.2	111	8.7	14	-	
B3	TKF	315M400*	45	51	137	26	6.4	111	8.7	14	-	
B4	TMF	400M500*	52	61	137	26	6.4	111	8.7	16	-	
Central Tag (double hole)												
C1	TM	400M500*	51	61	210	26	6.4	133	10.3	16	-	25.4

* Non-Standardized current rating additional to BS88: Part 2

NOTE: Cont= Continuous Current. Motor = Motor Starting Current