



Common Mode Overview and Reduction Guide

Understanding the creation, effects, and how to reduce common mode over voltage.

What is Common Mode?

To start off, common mode is bad. Common mode voltage is created by Variable Frequency Drives (VFDs) that serve as a way of controlling the speed of AC motors by varying the frequency of the power source using pulse width modulation (PWM). This is done by switching the transistors, IGBTs, or thyristors, on and off continuously.

The continuous generation of power pulses from VFDs prevents a smooth sinewave from being produced, which at any point is at a sum of zero (see Fig.1). Instead, the waveforms produced result in a sum at any point that is not always zero (see Fig.2). The result is damaging common mode over voltage, which can cause devastating effects to your equipment.

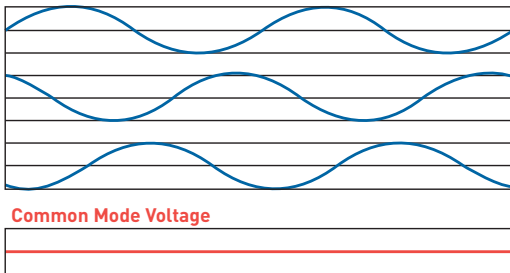


Fig.1
Three Phase Utility Power produces three smooth sinusoidal waves which at any point average a sum of zero. This creates an optimal scenario with zero common mode over voltage.

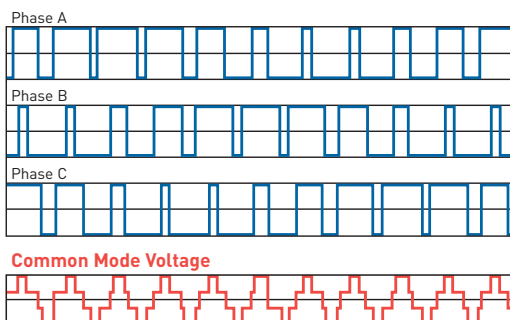


Fig.2
Power produced by VFDs is given off in continuous generation of pulses, which on average achieve a sinewave. However, the sum at any point is not always zero, resulting in damaging common mode over voltage.

Destructive Effects of Common Mode Over Voltage

Common mode problems occur outside of the VFD, which is why they are difficult to diagnose. The effects of common mode over voltage are extremely problematic for everyday operations.

Common mode problems include:

- Damage to motor bearings
- Unexpected ground fault trips
- Erratic behavior of VFDs and PLCs
- Premature motor insulation failure
- Cable damage

These problems negatively effect your bottom line, creating the need to replace equipment, increases repair costs, and can result in the loss of production.

How Do I Eliminate Common Mode Over Voltage?

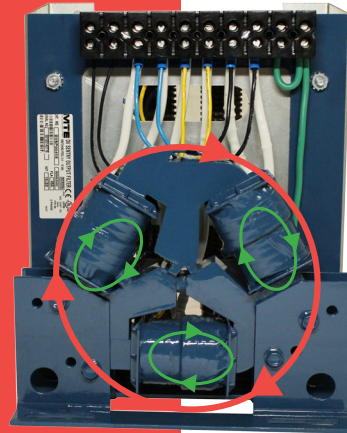
Unfortunately, common mode over voltage cannot be eliminated, but it can be reduced. There are a few solutions to combat common mode over voltage: a properly designed dV/dt filter, common mode choke, or a shaft grounding kit to protect motor bearings. But, each of these is not created equally, and there is only one solution that stands above them all – the patented Triple Core Defense of the dV Sentry™

The dV Sentry™ is the only proven filter to provide common mode reduction, peak voltage protection, and rise time reduction – all in one unit.

The dV Sentry's Unique Patented Triple Defense Core

The patented design of the dV Sentry™ and its Triple Defense Core are like nothing you've seen before.

- **Common mode reduction:** Filters power through the outer core and reduces common mode current.
- **Peak voltage protection and rise time protection:** Power filters through inner core, reduces rise time and gives peak voltage protection.



dV Sentry vs. the Rest

The dV Sentry outperforms the competition with proven results. Of the three filters tested, a typical dV/dt filter, a common mode choke, and the dV Sentry filter, the dV Sentry showed that it was a standout among the competition. Each filter was tested using a 480V, 50hp drive system with 1,000 feet of cable, 8kHz switching frequency, and at full load. While many of the competitors claim to reduce common mode voltage, they fail to back it up.

Want to learn more?

Visit mtecorp.com to view the following:

- White paper for detailed specifications about Common Mode and its effects
- dV Sentry video
- More power quality solutions from MTE

Filtering	Filter Common Mode Dampening	Change in Common Mode Current	Note
Typical dV/dt Filter	N/A	-5%	Negligible Common Mode Filtering
Common Mode Choke	None	18%	Unreliable Common Mode Filtering
Shaft Grounding Brush	N/A	0%	Can Protect Bearings
MTE dV Sentry Filter	Optimal	-47%	Reliable Common Mode Filtering



Power quality. Solved.

MTE Corporation

N83 W13330 Leon Road • Menomonee Falls, WI 53051
 (800) 455-4MTE • (262) 253-8200 • mtecorp.com