

FUSES FOR SEMICONDUCTOR PROTECTION

EUROPEAN STANDARD

TYPE D0 / D



Voltage rating: AC 440 V – AC 500 V

Current rating: 2 A to 200 A

Class: gR / aR

Standards: IEC 60269-4

DIN VDE 0636-40

DIN 49515 / 49360

SIBA D-Fuses, also known as type Diazed/ Neozed fuses are supplied in eight different sizes, ND, DII, DIII, DVI, DV, D01, D02, D03. All fuses have color coded blown fuse indicators.

Features / Benefits

- ▶ Class gR for rated currents up to 100 A
Class aR for rated currents above 100 A
- ▶ All fuses have blown fuse indicators
- ▶ Protection of Power Semiconductors according to IEC 60269-4
- ▶ Fuse Bases and Accessories are available



FUSES FOR SEMICONDUCTOR PROTECTION

EUROPEAN STANDARD

TYPE D0 / D

**Selection
Guide**

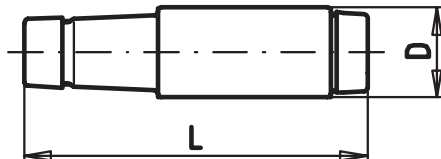
Type	size	Rated Voltage	Part No.	Selector Guide Page
ND	E 16	500 V	10 002 07	URD 3
DII	E 27	500 V	10 005 07	URD 4
DIII	E 33	500 V	10 007 07	URD 5
DIV	R 1¼"	500 V	10 009 07	URD 6
DV	R 2"	500 V	10 010 07	URD 7
D01	E 14	440 V	10 027 07	URD 8
D02	E 18	440 V	10 028 07	URD 9
D03	M 30x2	440 V	10 029 07	URD 10



FUSES FOR SEMICONDUCTOR PROTECTION
EUROPEAN STANDARD TYPE D0 / D

Type ND	Rated voltage AC 500 V	Size E 16	Standard DIN 49360
--------------------------	-----------------------------------------	----------------------------	-------------------------------------

Rated current	Part No.	Weight (kg/100)	Pack
2 A	10 002 07	1.6	50
4 A	10 002 07	1.6	50
6 A	10 002 07	1.6	50
10 A	10 002 07	1.6	50
16 A	10 002 07	1.6	50
20 A	10 002 07	1.6	50
25 A	10 002 07	1.6	50
30 A	10 002 07	1.6	50



D 0.50" (12.5 mm)
L 1.97" (50 mm)



FUSES FOR SEMICONDUCTOR PROTECTION
EUROPEAN STANDARD

TYPE D0 / D

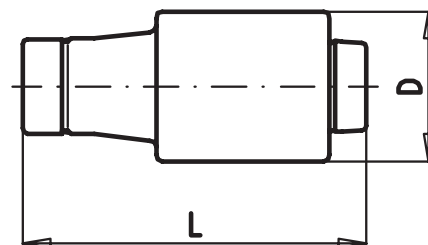
Type
D II

Rated voltage
AC 500 V

SIZE
E 27

Standard
DIN 49515

Rated current	Part No.	Weight (kg/100)	Pack
2 A	10 005 07	3.1	5
4 A	10 005 07	3.1	5
6 A	10 005 07	3.1	5
10 A	10 005 07	3.1	5
16 A	10 005 07	3.1	5
20 A	10 005 07	3.1	5
25 A	10 005 07	3.1	5
30 A	10 005 07	3.1	5



D 0.87" (22 mm)
L 1.97" (50 mm)

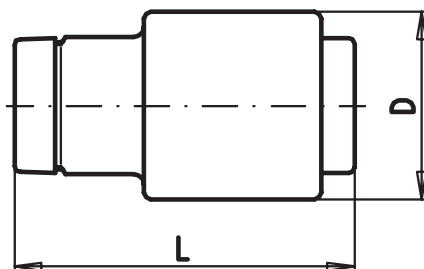


FUSES FOR SEMICONDUCTOR PROTECTION
EUROPEAN STANDARD

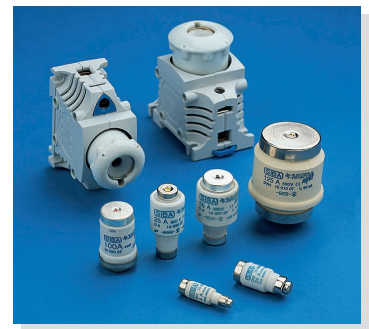
TYPE D0 / D

Type D III	Rated voltage AC 500 V	Size E 33	Standard DIN 49515
----------------------	----------------------------------	---------------------	------------------------------

Rated current	Part No.	Weight (kg/100)	Pack
35 A	10 007 07	3.1	5
50 A	10 007 07	3.1	5
63 A	10 007 07	3.1	5



D	1.06" (27 mm)
L	1.97" (50 mm)



FUSES FOR SEMICONDUCTOR PROTECTION
EUROPEAN STANDARD

TYPE D0 / D

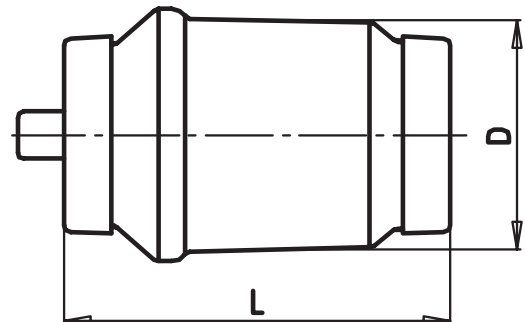
Type
D IV

Rated voltage
AC 500 V

Size
R 1¼"

Standard
DIN 49515

Rated current	Part No.	Weight (kg/100)	Pack
80 A	10 009 07	11.6	5
100 A	10 009 07	11.6	5



D 1.30" (33 mm)
L 1.97" (50 mm)

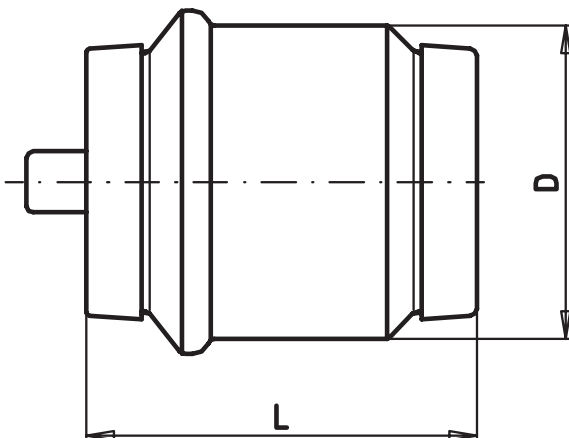


FUSES FOR SEMICONDUCTOR PROTECTION
EUROPEAN STANDARD

TYPE D0 / D

Type D V	Rated voltage AC 500 V	Size R 2"	Standard DIN 49365
--------------------	----------------------------------	---------------------	------------------------------

Rated current	Part No.	Weight (kg/100)	Pack
125 A	10 010 07	11.6	5
160 A	10 010 07	11.6	5
200 A	10 010 07	11.6	5



D	1.80" (46 mm)
L	1.97" (50 mm)



FUSES FOR SEMICONDUCTOR PROTECTION
EUROPEAN STANDARD

TYPE D0 / D

Type
D 01

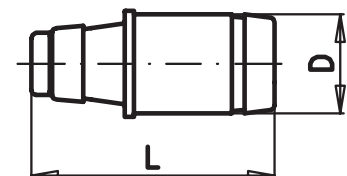
Rated voltage
AC 440 V

Size
E 14

Standard
DIN 49522

Rated current	Part No.	Weight (kg/100)	Pack
2 A	10 027 07	0.62	50
4 A	10 027 07	0.62	50
6 A	10 027 07	0.62	50
10 A	10 027 07	0.62	50
16 A	10 027 07	0.62	50

D 0.43" (11 mm)
L 1.42" (36 mm)



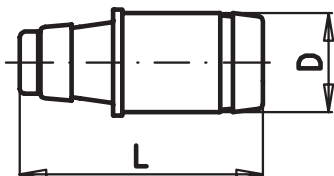


FUSES FOR SEMICONDUCTOR PROTECTION
EUROPEAN STANDARD

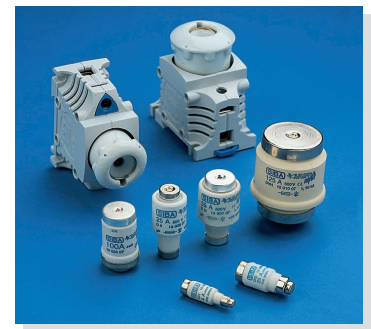
TYPE D0 / D

Type D 02	Rated voltage AC 440 V	Size E 18	Standard DIN 49522
---------------------	----------------------------------	---------------------	------------------------------

Rated current	Part No.	Weight (kg/100)	Pack
20 A	10 028 07	1.4	30
25 A	10 028 07	1.4	30
35 A	10 028 07	1.4	30
50 A	10 028 07	1.4	30
63 A	10 028 07	1.4	30



D	0.60" (15.3 mm)
L	1.42" (36 mm)



FUSES FOR SEMICONDUCTOR PROTECTION
EUROPEAN STANDARD

TYPE D0 / D

Type
D 03

Rated voltage
AC 440 V

Size
M 30x2

Standard
DIN 49522

Rated current	Part No.	UL Rec.	Weight (kg/100)	Pack
80 A	10 029 07		4.2	30
100 A	10 029 07		4.2	30

D 0.90" (22.5 mm)

L 1.70" (43 mm)

