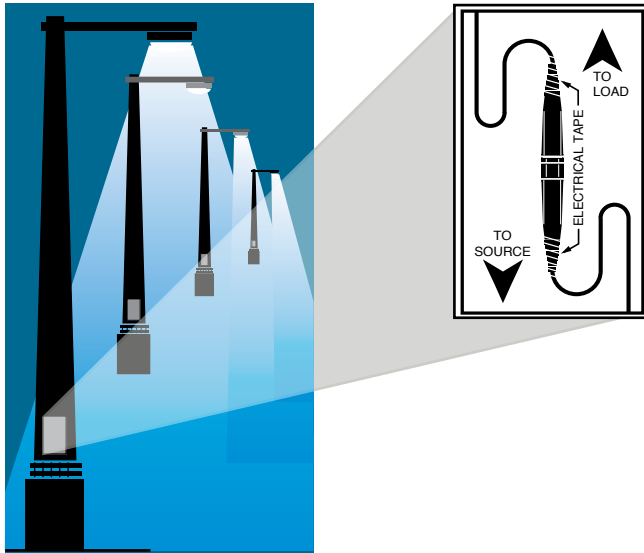


IN-LINE WATERTIGHT FUSEHOLDERS



Features/Benefits

- Design increases safety by individual device disconnection for easy servicing, eliminating shock risk
- Individual fixture fusing simplifies maintenance by allowing individual faulted fixture to be assessed and serviced without affecting the rest of the circuit
- Increases efficiency by preventing faulted ballast from severely damaging fixture or device
- Watertight seal
- Fiberglass reinforced polymer body resists damage from impact (better than phenolic look-a-likes)
- Variety of terminations available for flexible design
- Ultrasonically-welded terminals provide maximum strength and eliminate leakage
- Variety of fuseholders available with breakaway feature for applications where light poles may be accidentally knocked-down

Description

Littelfuse 600 V in-line watertight fuseholders allow maximum flexibility for high humidity/corrosive environments where fuses are required. A variety of options offer flexibility for several applications.

Applications

- Street lighting and parking lot lighting
- Sports lighting and various outdoor illuminated signs
- Boat electrical circuits, tractors/yard equipment and general outdoor circuit protection (such as traffic signals, alley lighting and electric wheelchairs)

Specifications

Voltage rating: 600 V
Ampere rating: 30 A
Interrupting rating: 200 kA rms symmetrical (with Class CC fuses)
Approvals: **LEB/LEX series:** UL Recognized Miscellaneous Fuseholder per UL UL 4248 (File No. E14721)
 CSA Certified per C22.2, No. 39 (File No. LR7316)
LEC/LEY series: UL Listed Class CC Branch Circuit Fuseholder per UL 512 (File No. E14721)
 CSA Certified per C22.2, No. 39 (File No. LR7316)

Recommended Fuses:

LEB/LEX series:

Accepts all 1-1/2" x 13/32" Littelfuse Midget and Class CC fuses: CCMR, KLDR, KLKR, BLF, BLN, FLM, FLO, KKK, KKKD

LEC/LEY series:

Accepts only Littelfuse Class CC fuses: CCMR, KLDR, KLKR

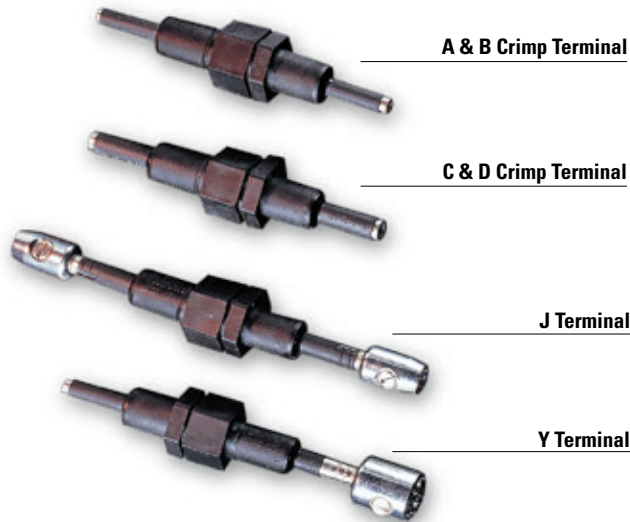
Web Resources

Sample requests, downloadable CAD drawings and other technical information:

- www.littelfuse.com/leb
- www.littelfuse.com/lec
- www.littelfuse.com/lex
- www.littelfuse.com/ley
- www.littelfuse.com/let

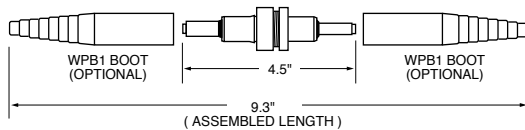
FUSEHOLDER TYPE	DESCRIPTION
LEB	One-pole in-line fuseholder for Midget and Class CC fuses
LEC	One-pole in-line fuseholder for Class CC fuses
LET	One-pole in-line solid neutral disconnect
LEX	Two-pole in-line fuseholder for Midget and Class CC fuses
LEY	Two-pole in-line fuseholder for Class CC fuses

IN-LINE WATERTIGHT FUSEHOLDERS

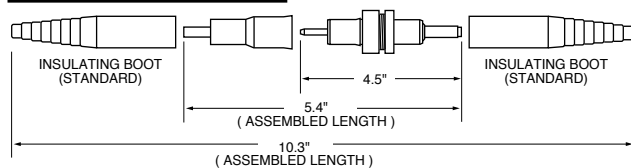


Dimensions in inches

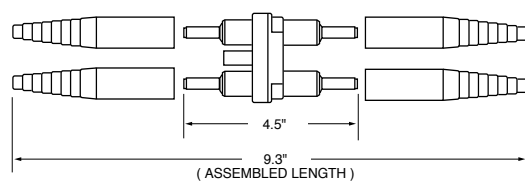
1-Pole



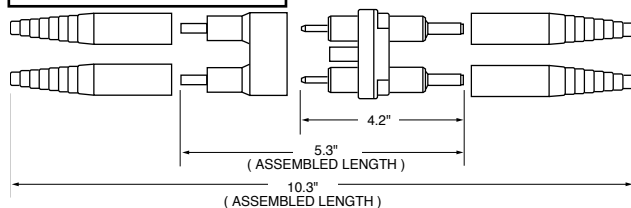
1-Pole Breakaway



2-Pole

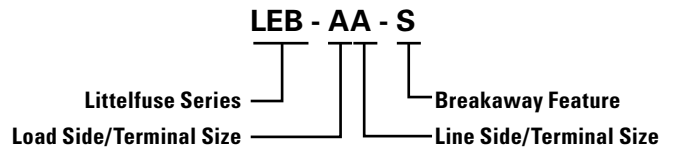


2-Pole Breakaway



Ordering Information

To order Littelfuse in-line fuseholders and disconnects by part number, refer to the charts on the next page.



Recommended Crimping Tools

The following crimping tools or equivalents may be used on either the non-breakaway or breakaway watertight in-line fuseholders.

TERMINAL SIZE	T&B PART NUMBER	BURNDY PART NUMBER
A	WT161M	-
B	WT161M	MR4C
C	M5-GREY	Hypress Y34A
D	M5-BROWN	Hypress Y34A



Insulating Boots

- Molded from engineering-grade thermoplastics, WPB1 and WPB3 boots provide high resistance to corrosive environments
- WPB1 contains one standard boot for A, B, C, D or J terminations
- WPB3 offers one Y-pole boot for use with Y-pole termination
- For watertight protection of non-breakaway Y-pole termination, order one WPB1 and one WPB3 boot

IN-LINE WATERTIGHT FUSEHOLDERS

Ordering Information (1-Pole LEB/LEC and 2-Pole LEX/LEY)

SINGLE POLE		DOUBLE POLE		FUSE TYPE	LOAD TERMINAL SELECTION					LINE TERMINAL SELECTION				
STANDARD PART NUMBER	BREAKAWAY PART NUMBER	STANDARD PART NUMBER	BREAKAWAY PART NUMBER		TERMINAL TYPE	LOAD TERMINAL WIRE SIZE RANGE	NUMBER OF WIRES PER TERMINAL	SOLID WIRE	STRANDED WIRE	TERMINAL TYPE	LINE TERMINAL WIRE SIZE RANGE	NUMBER OF WIRES PER TERMINAL	SOLID WIRE	STRANDED WIRE
LEB-AA LEC-AA	LEB-AA-S LEC-AA-S	LEX-AA LEY-AA	LEX-AA-S LEY-AA-S	Midget Class CC	Copper Crimp	#12 to #8 #12	1 2	• •	• •	Copper Crimp	#12 to #8 #12	1 2	• •	• •
LEB-AB LEC-AB	LEB-AB-S LEC-AB-S	LEX-AB LEY-AB	LEX-AB-S LEY-AB-S	Midget Class CC	Copper Crimp	#12 to #8 #12	1 2	• •	• •	Copper Crimp	#10 #6 #4	2 1 1	• • —	• • •
LEB-AC LEC-AC	—	LEX-AC LEY-AC	—	Midget Class CC	Copper Crimp	#12 to #8 #12	1 2	• •	• •	Copper Crimp	#8 #4	2 1	• —	• •
LEB-AD LEC-AD	—	LEX-AD LEY-AD	—	Midget Class CC	Copper Crimp	#12 to #8 #12	1 2	• •	• •	Copper Crimp	#6 #2	2 1	• —	• •
LEB-AJ LEC-AJ	LEB-AJ-S LEC-AJ-S	—	—	Midget Class CC	Copper Crimp	#12 to #8 #12	1 2	• •	• •	Copper Set-Screw	#12 to #8 #10 to #2	1 1	• —	— •
LEB-AYC LEC-AYC	LEB-AYC-S LEC-AYC-S	LEX-AYC LEY-AYC	LEX-AYC-S LEY-AYC-S	Midget Class CC	Copper Crimp	#12 to #8 #12	1 2	• •	• •	"Y" Type Copper Set-Screw	#12 to #8 #10 to #2	1 1	• —	— •
LEB-BA LEC-BA	LEB-BA-S LEC-BA-S	LEX-BA LEY-BA	LEX-BA-S LEY-BA-S	Midget Class CC	Copper Crimp	#10 #6 #4	2 1 1	• • —	• • •	Copper Crimp	#12 to #8 #12	1 2	• •	• •
LEB-BB LEC-BB	LEB-BB-S LEC-BB-S	LEX-BB LEY-BB	LEX-BB-S LEY-BB-S	Midget Class CC	Copper Crimp	#10 #6 #4	2 1 1	• • —	• • •	Copper Crimp	#10 #6 #4	2 1 1	• • —	• • •
LEB-BC LEC-BC	—	LEX-BC LEY-BC	—	Midget Class CC	Copper Crimp	#10 #6 #4	2 1 1	• • —	• • •	Copper Crimp	#8 #4	2 1	• —	• •
LEB-BD LEC-BD	—	LEX-BD LEY-BD	—	Midget Class CC	Copper Crimp	#10 #6 #4	2 1 1	• • —	• • •	Copper Crimp	#6 #2	2 1	• —	• •
LEB-BJ LEC-BJ	LEB-BJ-S LEC-BJ-S	—	—	Midget Class CC	Copper Crimp	#10 #6 #4	2 1 1	• • —	• • •	Copper Set-Screw	#12 to #8 #10 to #2	1 1	• —	— •
LEB-BYC LEC-BYC	LEB-BYC-S LEC-BYC-S	LEX-BYC LEY-BYC	LEX-BYC-S LEY-BYC-S	Midget Class CC	Copper Crimp	#10 #6 #4	2 1 1	• • —	• • •	"Y" Type Copper Set-Screw	#12 to #8 #10 to #2	1 1	• —	— •
LEB-CA LEC-CA	—	LEX-CA LEY-CA	—	Midget Class CC	Copper Crimp	#8 #4	2 1	• —	• •	Copper Crimp	#12 to #8 #12	1 2	• •	• •
LEB-CB LEC-CB	—	LEX-CB LEY-CB	—	Midget Class CC	Copper Crimp	#8 #4	2 1	• —	• •	Copper Crimp	#10 #6 #4	2 1 1	• • —	• • •
LEB-CC LEC-CC	—	LEX-CC LEY-CC	—	Midget Class CC	Copper Crimp	#8 #4	2 1	• —	• •	Copper Crimp	#8 #4	2 1	• —	• •
LEB-CD LEC-CD	—	LEX-CD LEY-CD	—	Midget Class CC	Copper Crimp	#8 #4	2 1	• —	• •	Copper Crimp	#6 #2	2 1	• —	• •
LEB-CJ LEC-CJ	—	LEX-CJ LEY-CJ	—	Midget Class CC	Copper Crimp	#8 #4	2 1	• —	• •	Copper Set-Screw	#12 to #8 #10 to #2	1 1	• —	• •
LEB-CYC LEC-CYC	—	LEX-CYC LEY-CYC	—	Midget Class CC	Copper Crimp	#8 #4	2 1	• —	• •	"Y" Type Copper Set-Screw	#12 to #8 #10 to #2	1 1	• —	— •
LEB-DA LEC-DA	—	LEX-DA LEY-DA	—	Midget Class CC	Copper Crimp	#6 #2	2 1	• —	• •	Copper Crimp	#12 to #8 #12	1 2	• •	— •
LEB-DB LEC-DB	—	LEX-DB LEY-DB	—	Midget Class CC	Copper Crimp	#6 #2	2 1	• —	• •	Copper Crimp	#10 #6 #4	2 1 1	• • —	• • •
LEB-DC LEC-DC	—	LEX-DC LEY-DC	—	Midget Class CC	Copper Crimp	#6 #2	2 1	• —	• •	Copper Crimp	#8 #4	2 1	• —	• •
LEB-DD LEC-DD	—	LEX-DD LEY-DD	—	Midget Class CC	Copper Crimp	#6 #2	2 1	• —	• •	Copper Crimp	#6 #2	2 1	• —	• •
LEB-DJ LEC-DJ	—	LEX-DJ LEY-DJ	—	Midget Class CC	Copper Crimp	#6 #2	2 1	• —	• •	Copper Set-Screw	#12 to #8 #10 to #2	2 1	• —	• •
LEB-DYC LEC-DYC	—	LEX-DYC LEY-DYC	—	Midget Class CC	Copper Crimp	#6 #2	2 1	• —	• •	"Y" Type Copper Set-Screw	#12 to #8 #10 to #8	1 1	• —	— •
LEB-JJ LEC-JJ	LEB-JJ-S LEC-JJ-S	LEX-JJ LEY-JJ	LEX-JJ-S LEY-JJ-S	Midget Class CC	Copper Set-Screw	#12 to #8 #10 to #2	1 1	• —	— •	Copper Set-Screw	#12 to #8 #10 to #2	1 1	• —	— •
LEB-JYC LEC-JYC	LEB-JYC-S LEC-JYC-S	—	—	Midget Class CC	Copper Set-Screw	#12 to #8 #10 to #2	1 1	• —	— •	"Y" Type Copper Set-Screw	#12 to #8 #10 to #2	1 1	• —	— •

IN-LINE WATERTIGHT FUSEHOLDERS

Ordering Information (Solid Neutral LET Fuseholders)

STANDARD PART NUMBER	BREAKAWAY PART NUMBER	FUSE TYPE	LOAD TERMINAL SELECTION					LINE TERMINAL SELECTION				
			TERMINAL TYPE	LOAD TERMINAL WIRE SIZE RANGE	NUMBER OF WIRES PER TERMINAL	SOLID WIRE	STRANDED WIRE	TERMINAL TYPE	LINE TERMINAL WIRE SIZE RANGE	NUMBER OF WIRES PER TERMINAL	SOLID WIRE	STRANDED WIRE
LET-AA	LET-AA-S	Solid Neutral	Copper Crimp	#12 to #8	1	•	•	Copper Crimp	#12 to #8	1	•	•
				#12	2	•	•		#12	2	•	•
LET-AB	LET-AB-S	Solid Neutral	Copper Crimp	#12 to #8	1	•	•	Copper Crimp	#10	2	•	•
				#12	2	•	•		#6	1	•	•
									#4	1	—	•
LET-AYC	LET-AYC-S	Solid Neutral	Copper Crimp	#12 to #8	1	•	•	"Y" Type Copper Set-Screw	#12 to #8	1	•	—
				#12	2	•	•		#10 to #2	1	—	•
LET-BA	LET-BA-S	Solid Neutral	Copper Crimp	#10	2	•	•	Copper Crimp	#12 to #8	1	•	•
				#6	1	•	•		#12	2	•	•
				#4	1	—	•					
LET-BB	LET-BB-S	Solid Neutral	Copper Crimp	#10	2	•	•	Copper Crimp	#10	2	•	•
				#6	1	•	•		#6	1	•	•
				#4	1	—	•		#4	1	—	•
LET-BYC	LET-BYC-S	Solid Neutral	Copper Crimp	#10	2	•	•	"Y" Type Copper Set-Screw	#12 to #8	1	•	—
				#6	1	•	•		#10 to #2	1	—	•
				#4	1	—	•					
LET-JJ	LET-JJ-S	Solid Neutral	Copper Set-Screw	#12 to #8	1	•	—	Copper Set-Screw	#12 to #8	1	•	—
				#10 to #2	1	—	•		#10 to #2	1	—	•
LET-JYC	LET-JYC-S	Solid Neutral	Copper Set-Screw	#12 to #8	1	•	—	"Y" Type Copper Set-Screw	#12 to #8	1	•	—
				#10 to #2	1	—	•		#10 to #2	1	—	•

Ordering Information (Terminals)

TERMINAL DESIGNATION	TERMINAL DESCRIPTION	NUMBER OF WIRES PER TERMINAL	WIRE RANGE	SOLID WIRE	STRANDED WIRE
A	Copper Crimp	1	#12-#8	•	•
		2	#12	•	•
B	Copper Crimp	2	#10	•	•
		1	#6	•	•
		1	#4	—	•
C	Copper Crimp	2	#8	•	•
		1	#4	—	•
D	Copper Crimp	2	#6	•	•
		1	#2	—	•
J	Copper Set-Screw	1	#12-#8	•	—
		1	#10-#2	—	•
Y (2 terminals)	"Y" Style Copper Set-Screw	1	#12-#8	•	—
		1	#10-#2	—	•

IN-LINE WATERTIGHT FUSEHOLDERS

Two-Pole Breakaway Holder



Features/Benefits

- LEXT-YY version has a permanently installed “neutral” slug to prevent the neutral from accidentally being fused
- LEXT-YY version allows for fusing of line-to-line loads or other applications requiring two fuses to disconnect under strain
- Fiberglass polymer body resists damage from impact
- Four “Y” type set-screw terminals accommodate a wide range of solid and stranded Cu or Al conductors
- O-ring and terminal boots form watertight seal, preventing leakage

Specifications

- Part numbers:** LEXT-YY-S (Solid neutral)
LEX-YYC-S
- Voltage Rating:** 600 VAC/VDC
- Ampere Rating:** 30 A
- Interrupting Rating:** 200 kA with Class CC Fuses
- Y Terminals:** Tin Plated Copper w/ set screws
- Wire Size:** 1 solid #12 to #8 or 1 stranded #10 to #2
- Approvals:** UL Recognized (File E14721)
CSA Certified (File LR7316)

Description

New Littelfuse LEXT-YY-S and LEX-YYC-S series breakaway fuseholders meet state and federal highway commission safety standards requiring fuseholders to readily disconnect from power in case of a pole knockdown.

The breakaway feature consists of a receptacle permanently attached to the power line and a fuseholder with matching terminals. If a knockdown occurs, the parts separate, leaving the energized conductor recessed and unexposed.

Applications

- Street lighting
- Marinas
- Travel trailer parks and other locations where fuseholders may be exposed to physical strain

Web Resources

Sample requests, downloadable CAD drawings and other technical information: www.littelfuse.com/lex
www.littelfuse.com/lex

Ordering Information

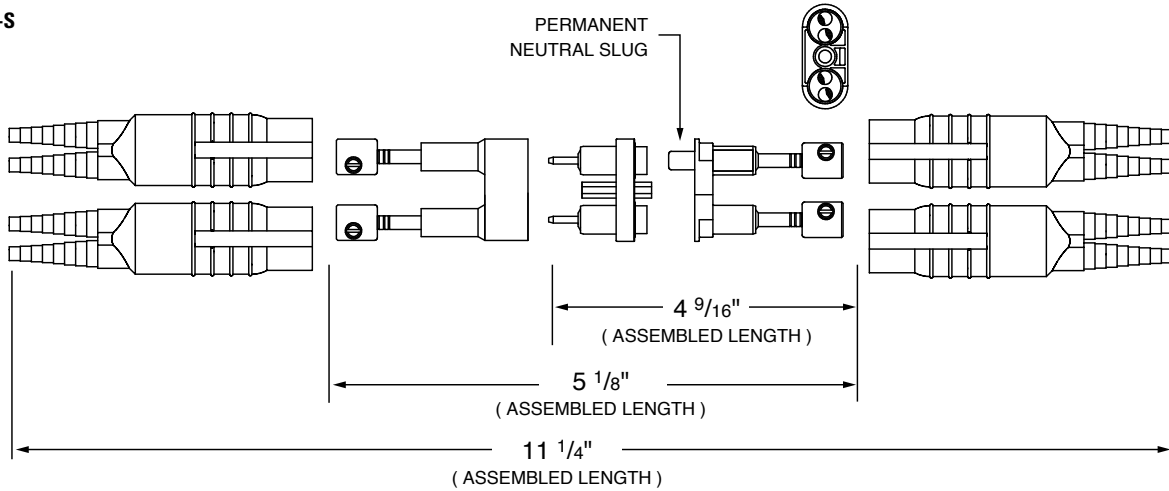
CATALOG/SYSTEM NUMBER	FUSE TYPE	LOAD TERMINAL SELECTION						LINE TERMINAL SELECTION				
		TERMINAL TYPE	LOAD TERMINAL WIRE SIZE RANGE	NUMBER OF WIRES PER TERMINAL	SOLID WIRE	STANDARD WIRE	TERMINAL TYPE	LINE TERMINAL WIRE SIZE RANGE	NUMBER OF WIRES PER TERMINAL	SOLID WIRE	STANDARD WIRE	
LEXTYYCS	LEXTYYCSX	Midget Class CC	“Y” type Copper Set-Screw	#12 to #8	1	•	—	“Y” type Copper Set-Screw	#12 to #8	1	•	—
				#10 to #2	1	—	•		#10 to #2	1	—	•
LEXYYS	OLEXYYSX	Midget Class CC	“Y” type Copper Set-Screw	#12 to #8	1	•	—	“Y” type Copper Set-Screw	#12 to #8	1	•	—
				#10 to #2	1	—	•		#10 to #2	1	—	•

IN-LINE WATERTIGHT FUSEHOLDERS

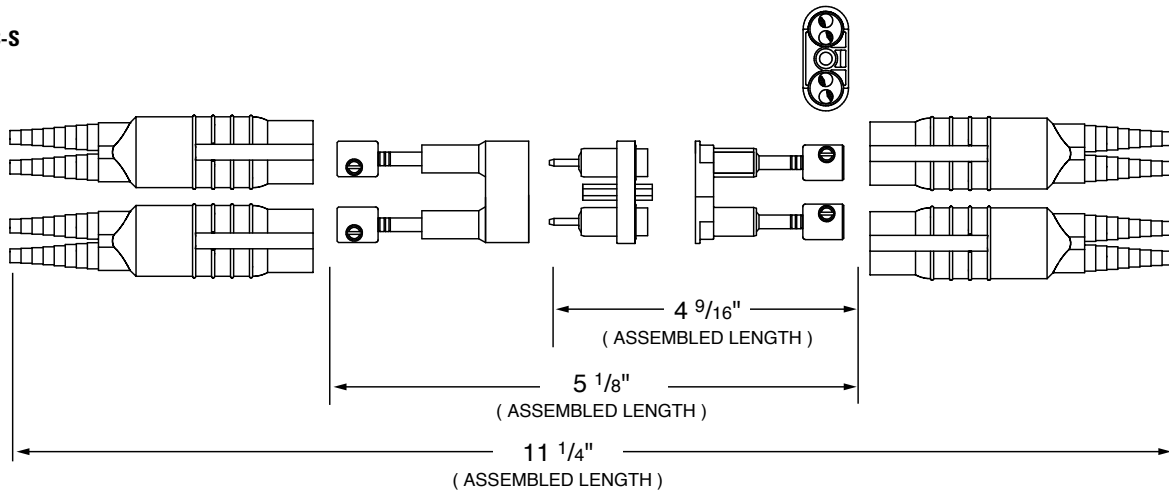
Two-Pole Breakaway Holder

Dimensions in inches

LEXT-YY-S



LEX-YY-C-S



Recommended Fuses

Midget Littelfuse types: BLF, BLN, FLM, FLO, KLK, KLKD

Class CC Littelfuse types: CCMR, KLDR, KLKR

Four WPB3 insulating boots come standard with the LEXT-YY-S and LEX-YY-C-S fuseholders. Molded from non-conductive engineering grade thermoplastic to deliver a watertight seal in corrosive environments, they can be trimmed to the specific conductor size insuring a snug fit.