

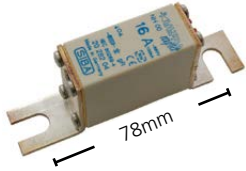
DIN80-000 Offset Tag

2028204



Class aR for semiconductor protection. Size 000, compact body

660VAC
ultra rapid (gR/aR)



PERFORMANCE	AMP
gR	16A - 100A
aR	125A - 160A

PART NO.	AMP	POWER LOSS	TOTAL I ² t @ 660V (A ² s)
2028204-16	16A	5W	70
2028204-20	20A	6W	120
2028204-25	25A	7W	200
2028204-32	32A	9W	450
2028204-35	35A	9W	550
2028204-40	40A	10W	700

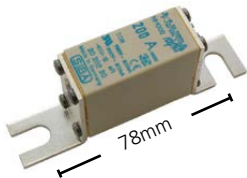
PART NO.	AMP	POWER LOSS	TOTAL I ² t @ 660V (A ² s)
2028204-50	50A	11W	1300
2028204-63	63A	13W	2300
2028204-80	80A	18W	3500
2028204-100	100A	22W	6400
2028204-125	125A	24W	11200
2028204-160	160A	28W	29000

2028220



Class aR for semiconductor protection. Size 000, compact body

690VAC/700VAC
ultra rapid (aR)



PART NO.	AMP	POWER LOSS	TOTAL I ² t @ 660V (A ² s)
2028220-32	32A	8W	290
2028220-35	35A	9W	360
2028220-40	40A	10W	500
2028220-50	50A	12W	770
2028220-63	63A	14W	1400
2028220-80	80A	18W	2600
2028220-100	100A	22W	4000

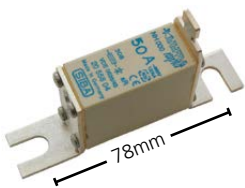
PART NO.	AMP	POWER LOSS	TOTAL I ² t @ 660V (A ² s)
2028220-125	125A	26W	7200
2028220-160	160A	32W	15400
2028220-180	180A	35W	20400
2028220-200	200A	39W	25000
2028220-250	250A	47W	44000
2028220-315	315A	58W	77000

2055804



Class aR for semiconductor protection. Size 000, compact body

660VAC
ultra rapid (gR/aR)
with microswitch
facility



PERFORMANCE	AMP
gR	16A - 100A
aR	125A - 160A

PART NO.	AMP	POWER LOSS	TOTAL I ² t @ 660V (A ² s)
2055804-16	16A	5W	70
2055804-20	20A	6W	120
2055804-25	25A	7W	200
2055804-32	32A	9W	450
2055804-35	35A	9W	550
2055804-40	40A	10W	700

PART NO.	AMP	POWER LOSS	TOTAL I ² t @ 660V (A ² s)
2055804-50	50A	11W	1300
2055804-63	63A	13W	2300
2055804-80	80A	18W	3500
2055804-100	100A	22W	6400
2055804-125	125A	24W	11200
2055804-160	160A	28W	29000

Fuse Holders for DIN80-00/000

2118901

Open fuse base



2118908

Fuse base with covers



Note:

Can only be used with DIN80 - 00/000 fuses WITHOUT micro switch facility.

DIN80-000 Offset Tag

2055820



Class aR for semiconductor protection. Size 000, compact body

690VAC/700VAC
ultra rapid (aR),
with microswitch
facility



PART NO.	AMP	POWER LOSS	TOTAL I ² t @ 660V (A ² s)
2055820-32	32A	8W	290
2055820-35	35A	9W	360
2055820-40	40A	10W	500
2055820-50	50A	12W	770
2055820-63	63A	14W	1400
2055820-80	80A	18W	2600
2055820-100	100A	22W	4000

PART NO.	AMP	POWER LOSS	TOTAL I ² t @ 660V (A ² s)
2055820-125	125A	26W	7200
2055820-160	160A	32W	15400
2055820-180	180A	35W	20400
2055820-200	200A	39W	25000
2055820-250	250A	47W	44000
2055820-315	315A	58W	77000

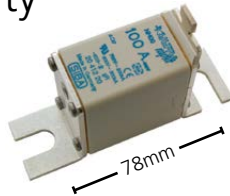
DIN80-00 Offset Tag

2041220



Class aR for semiconductor protection. Size 00 body

690VAC/700VAC
ultra rapid (aR),
with microswitch
facility



PART NO.	AMP	POWER LOSS	TOTAL I ² t @ 660V (A ² s)
2041220-35	35A	8W	360
2041220-40	40A	10W	500
2041220-50	50A	12W	770
2041220-63	63A	14W	1400
2041220-80	80A	17W	2600
2041220-100	100A	21W	4000
2041220-125	125A	25W	7200

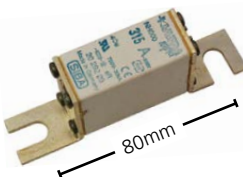
PART NO.	AMP	POWER LOSS	TOTAL I ² t @ 660V (A ² s)
2041220-160	160A	31W	15400
2041220-180	180A	34W	23100
2041220-200	200A	37W	27500
2041220-250	250A	44W	46800
2041220-315	315A	53W	86000
2041220-350	350A	57W	110000
2041220-400	400A	68W	156000

2029220



Class aR for semiconductor protection. Size 00. Designed for DC circuits.

700VDC
ultra rapid (aR),



PART NO.	AMP	POWER LOSS	TOTAL I ² t @ 660V (A ² s)
2029220-35	35A	14W	135
2029220-50	50A	17W	530
2029220-63	63A	20W	690
2029220-80	80A	23W	1650
2029220-100	100A	26W	4300

PART NO.	AMP	POWER LOSS	TOTAL I ² t @ 660V (A ² s)
2029220-125	125A	30W	6400
2029220-160	160A	35W	8000
2029220-200	200A	40W	16000
2029220-250	250A	45W	22900
2029220-315	315A	51W	46000

Microswitches for DIN80-00/000

2800201



Black Hammer
Microswitch.
To suit DIN80-00
size fuse.

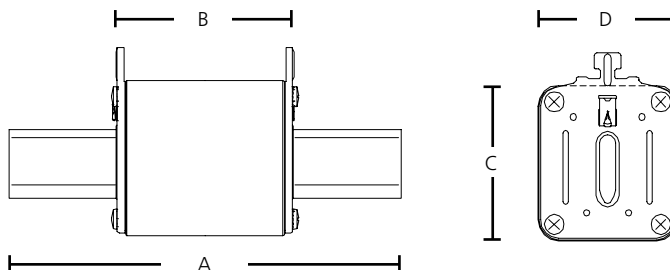


2800202

Red Hammer
Microswitch.
To suit DIN80-000
size fuse.



NH Blade Ultra Rapid



SIZE 00/000

690VAC
ultra rapid
(gR, aR)



Bussmann

Class gR and aR for semiconductor protection

DIMENSIONS (mm)						
PART NO.	AMPS	SIZE	A	B	C	D
2047720	6-50	000	78	47	40.5	20.5
2020920	63-160	00	78	47	46	29.5
170M...	200-315	000	78	47	40.5	20.5

PART NO.	AMP	BODY SIZE	CLASS	POWER LOSS	TOTAL I ² t @ 690V (A ² s)
2047720-6	6A	000	gR	-	-
2047720-10	10A	000	gR	2.5W	18
2047720-16	16A	000	gR	4.1W	40
2047720-20	20A	000	gR	5.5W	91
2047720-25	25A	000	gR	6W	110
2047720-32	32A	000	gR	7.1W	250
2047720-35	35A	000	gR	-	-
2047720-40	40A	000	gR	9.2W	450
2047720-50	50A	000	gR	12W	820
2020920-63	63A	00	gR	14W	1400
2020920-80	80A	00	gR	17W	2600
2020920-100	100A	00	gR	21W	4500
2020920-125	125A	00	aR	25W	9100
2020920-160	160A	00	aR	32W	15000
170M1570	200A	000	aR	37W	28000
170M1571	250A	000	aR	42W	51500
170M1572	315A	000	aR	52W	80500

SIZE 1

690VAC
ultra rapid
(gR, aR)



Bussmann

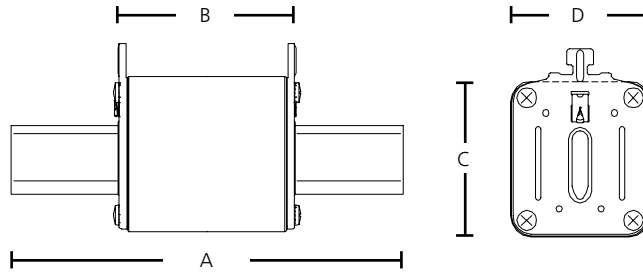
Class gR and aR for cable and line protection

DIMENSIONS (mm)						
PART NO.	AMPS	SIZE	A	B	C	D
2021120	16-315	1	135	65	51.5	42
170M...	355-400	1	135	69	58	45

PART NO.	AMP	CLASS	POWER LOSS	TOTAL I ² t @ 690V (A ² s)
2021120-16	16A	gR	-	-
2021120-20	20A	gR	-	-
2021120-25	25A	gR	-	-
2021120-32	32A	gR	-	-
2021120-40	40A	gR	8W	570
2021120-50	50A	gR	11W	1000
2021120-63	63A	gR	14W	1800
2021120-80	80A	gR	20W	3400
2021120-100	100A	aR	24W	4700
2021120-125	125A	aR	31W	7600
2021120-160	160A	aR	42W	14000
2021120-200	200A	aR	52W	21000
2021120-250	250A	aR	71W	36000
2021120-315	315A	aR	88W	76000
170M3818	355A	aR	55W	68500
170M3819	400A	aR	60W	105000

FUSE HOLDERS TO SUIT Refer to pages 68

NH Blade Ultra Rapid



SIZE 2 690VAC ultra rapid (aR)



Bussmann

Class aR for semiconductor protection

DIMENSIONS (mm)						
PART NO.	AMPS	SIZE	A	B	C	D
2021220	125-250	2	150	65	51.5	42
2021220	315-450	2	150	65	59	53
170M...	500-700	2	150	69	59	55

PART NO.	AMP	POWER LOSS	TOTAL I ² t @ 690V (A ² s)
2021220-80	80A	-	-
2021220-100	100A	-	-
2021220-125	125A	-	-
2021220-160	160A	42W	14000
2021220-200	200A	52W	21000
2021220-250	250A	71W	36000
2021220-315	315A	79W	76000
2021220-350	350A	85W	100000
2021220-400	400A	95W	145000
2021220-450	450A	100W	220000
170M5810	500A	75W	145000
170M5811	550A	80W	190000
170M5812	630A	90W	275000
170M5813	700A	95W	405000

SIZE 3 690VAC ultra rapid (aR)



Bussmann

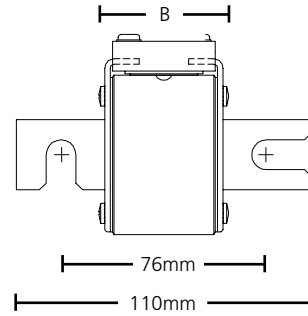
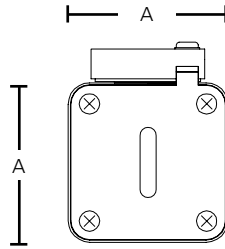
Class aR for semiconductor protection

DIMENSIONS (mm)						
PART NO.	AMPS	SIZE	A	B	C	D
2021320	250-400	3	150	65	59	53
2021320	450-710	3	150	65	73.5	65
2021320	800	3	150	68	74	74
170M...	900-1000	3	150	68	74	76

PART NO.	AMP	POWER LOSS	TOTAL I ² t @ 690V (A ² s)
2021320-250	250A	-	-
2021320-315	315A	79W	76000
2021320-350	350A	85W	100000
2021320-400	400A	95W	150000
2021320-450	450A	95W	220000
2021320-500	500A	100W	300000
2021320-550	550A	110W	400000
2021320-630	630A	130W	490000
2021320-710	710A	150W	610000
2021320-800	800A	120W	1050000
170M6813	900A	125W	670000
170M6814	1000A	-	945000

FUSE HOLDERS TO SUIT **Refer to pages 68**

DIN80 Square Body



SIZE 1



690VAC*
ultra rapid (aR)

DIMENSIONS (mm)			
PART NO.	AMPS	A	B
2061232	63-900	51	47.5

Class aR for semiconductor protection

PART NO.	AMP	* VOLTAGE	PART NO.	AMP	* VOLTAGE
2061232-63	63A	690V	2061232-400	400A	690V
2061232-80	80A	690V	2061232-450	450A	690V
2061232-100	100A	690V	2061232-500	500A	690V
2061232-125	125A	690V	2061232-550	550A	690V
2061232-160	160A	690V	2061232-630	630A	690V
2061232-200	200A	690V	2061232-700	700A	690V
2061232-250	250A	690V	2061232-800	800A	690V
2061232-315	315A	690V	2061232-900	900A	600V
2061232-350	350A	690V			

SIZE 2



690VAC*
ultra rapid (aR)

DIMENSIONS (mm)			
PART NO.	AMPS	A	B
2062232	400-1250	60	47.5

Class aR for semiconductor protection

PART NO.	AMP	* VOLTAGE	PART NO.	AMP	* VOLTAGE
2062232-400	400A	690V	2062232-800	800A	690V
2062232-450	450A	690V	2062232-900	900A	690V
2062232-500	500A	690V	2062232-1000	1000A	690V
2062232-550	550A	690V	2062232-1100	1100A	600V
2062232-630	630A	690V	2062232-1250	1250A	600V
2062232-700	700A	690V			

SIZE 3



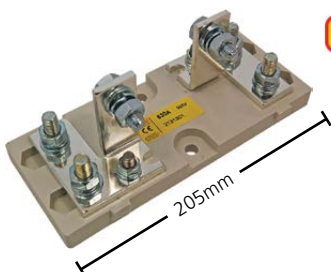
690VAC*
ultra rapid (aR)

DIMENSIONS (mm)			
PART NO.	AMPS	A	B
2063232	400-1250	73	49

Class aR for semiconductor protection

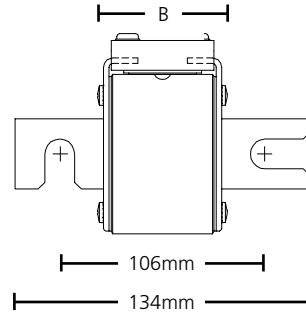
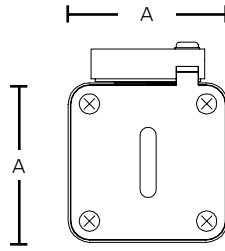
PART NO.	AMP	* VOLTAGE	PART NO.	AMP	* VOLTAGE
2063232-500	500A	690V	2063232-1000	1000A	690V
2063232-550	550A	690V	2063232-1100	1100A	690V
2063232-630	630A	690V	2063232-1250	1250A	690V
2063232-700	700A	690V	2063232-1400	1400A	690V
2063232-800	800A	690V	2063232-1500	1500A	600V
2063232-900	900A	690V	2063232-1600	1600A	600V

DIN80 fuse base



PART NO.	DESCRIPTION	AMP	VOLTAGE	PACK SIZE
2131301	Fuse Base with Bolted. Connections DIN Type	630A	900V	1
2131302	Fuse Base with Bolted. Connections DIN Type	1250A	900V	1

DIN110 Square Body



SIZE 1



690VAC*
ultra rapid (aR)

DIMENSIONS (mm)			
PART NO.	AMPS	A	B
2061532	63-900	51	47.5

Class aR for semiconductor protection

PART NO.	AMP	* VOLTAGE	PART NO.	AMP	* VOLTAGE
2061532-63	63A	690V	2061532-400	400A	690V
2061532-80	80A	690V	2061532-450	450A	690V
2061532-100	100A	690V	2061532-500	500A	690V
2061532-125	125A	690V	2061532-550	550A	690V
2061532-160	160A	690V	2061532-630	630A	690V
2061532-200	200A	690V	2061532-700	700A	690V
2061532-250	250A	690V	2061532-800	800A	690V
2061532-315	315A	690V	2061532-900	900A	600V
2061532-350	350A	690V			

SIZE 2



690VAC*
ultra rapid (aR)

DIMENSIONS (mm)			
PART NO.	AMPS	A	B
2062532	250-1250	60	47.5

Class aR for semiconductor protection

PART NO.	AMP	* VOLTAGE	PART NO.	AMP	* VOLTAGE
2062532-200	200A	690V	2062532-630	630A	690V
2062532-250	250A	690V	2062532-700	700A	690V
2062532-315	315A	690V	2062532-800	800A	690V
2062532-350	350A	690V	2062532-900	900A	690V
2062532-400	400A	690V	2062532-1000	1000A	690V
2062532-450	450A	690V	2062532-1100	1100A	600V
2062532-500	500A	690V	2062532-1250	1250A	600V
2062532-550	550A	690V			

SIZE 3



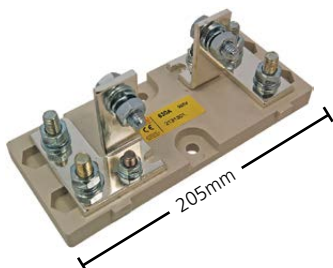
690VAC*
ultra rapid (aR)

DIMENSIONS (mm)			
PART NO.	AMPS	A	B
2063532	500-1600	73	49

Class aR for semiconductor protection

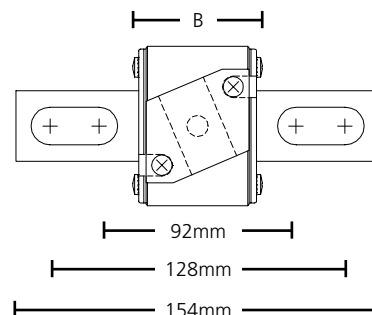
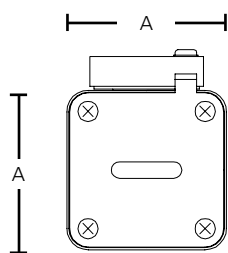
PART NO.	AMP	* VOLTAGE	PART NO.	AMP	* VOLTAGE
2063532-500	500A	690V	2063532-1000	1000A	690V
2063532-550	550A	690V	2063532-1100	1100A	690V
2063532-630	630A	690V	2063532-1250	1250A	690V
2063532-700	700A	690V	2063532-1400	1400A	690V
2063532-800	800A	690V	2063532-1500	1500A	600V
2063532-900	900A	690V	2063532-1600	1600A	600V

DIN110 fuse base



PART NO.	DESCRIPTION	AMP RATING	VOLTAGE RATING	PACK SIZE
2132301	Fuse Base with Bolted. Connections DIN Type	630A	1400V	1
2132302	Fuse Base with Bolted. Connections DIN Type	1250A	1400V	1

American Blade Square Body



SIZE 1



690VAC*
ultra rapid (aR)

DIMENSIONS (mm)			
PART NO.	AMPS	A	B
2061832	63-900	51	47.5

Class aR for semiconductor protection

PART NO.	AMP	* VOLTAGE
2061832-63	63A	690V
2061832-80	80A	690V
2061832-100	100A	690V
2061832-125	125A	690V
2061832-160	160A	690V
2061832-200	200A	690V
2061832-250	250A	690V
2061832-315	315A	690V
2061832-350	350A	690V

PART NO.	AMP	* VOLTAGE
2061832-400	400A	690V
2061832-450	450A	690V
2061832-500	500A	690V
2061832-550	550A	690V
2061832-630	630A	690V
2061832-700	700A	690V
2061832-800	800A	690V
2061832-900	900A	600V

SIZE 2



690VAC*
ultra rapid (aR)

DIMENSIONS (mm)			
PART NO.	AMPS	A	B
2062832	400-1250	60	47.5

Class aR for semiconductor protection

PART NO.	AMP	* VOLTAGE
2062832-400	400A	690V
2062832-450	450A	690V
2062832-500	500A	690V
2062832-550	630A	690V
2062832-630	700A	690V
2062832-700	800A	690V

PART NO.	AMP	* VOLTAGE
2062832-800	800A	690V
2062832-900	900A	690V
2062832-1000	1000A	690V
2062832-1100	1100A	600V
2062832-1250	1250A	600V

SIZE 3



690VAC*
ultra rapid (aR)

DIMENSIONS (mm)			
PART NO.	AMPS	A	B
2063832	500-1600	73	49

Class aR for semiconductor protection

PART NO.	AMP	* VOLTAGE
2063832-500	500A	690V
2063832-550	550A	690V
2063832-630	630A	690V
2063832-700	700A	690V
2063832-800	800A	690V
2063832-900	900A	690V

PART NO.	AMP	* VOLTAGE
2063832-1000	1000A	690V
2063832-1100	1100A	690V
2063832-1250	1250A	690V
2063832-1400	1400A	690V
2063832-1500	1500A	600V
2063832-1600	1600A	600V

Fuse Base

LSCR



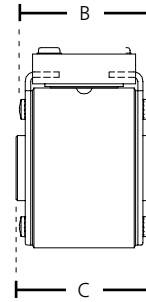
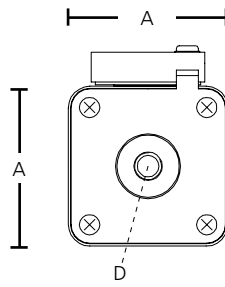
1000VAC
modular fuse bases



Fuse holders to suit bolt in fuses

PART NO.	AMP
LSCR001	400A
LSCR002	800A

Flush End Square Body



SIZE 1



690VAC*
ultra rapid (aR)

DIMENSIONS (mm)						
PART NO.	AMPS	SIZE	A	B	C	D
2066132	63-900	1	51	47.5	51	M8

Class aR for semiconductor protection

PART NO.	AMP	* VOLTAGE
2066132-63	63A	690V
2066132-80	80A	690V
2066132-100	100A	690V
2066132-125	125A	690V
2066132-160	160A	690V
2066132-200	200A	690V
2066132-250	250A	690V
2066132-315	315A	690V
2066132-350	350A	690V

PART NO.	AMP	* VOLTAGE
2066132-400	400A	690V
2066132-450	450A	690V
2066132-500	500A	690V
2066132-550	550A	690V
2066132-630	630A	690V
2066132-700	700A	690V
2066132-800	800A	690V
2066132-900	900A	600V

SIZE 2



690VAC*
ultra rapid (aR)

DIMENSIONS (mm)						
PART NO.	AMPS	SIZE	A	B	C	D
2067132	205-1250	2	60	47.5	51	M10

Class aR for semiconductor protection

PART NO.	AMP	* VOLTAGE
2067132-250	250A	690V
2067132-350	350A	690V
2067132-400	400A	690V
2067132-450	450A	690V
2067132-500	500A	690V
2067132-550	550A	690V
2067132-630	630A	690V

PART NO.	AMP	* VOLTAGE
2067132-700	700A	690V
2067132-800	800A	690V
2067132-900	900A	690V
2067132-1000	1000A	690V
2067132-1100	1100A	600V
2067132-1250	1250A	600V

SIZE 3



690VAC*
ultra rapid (aR)

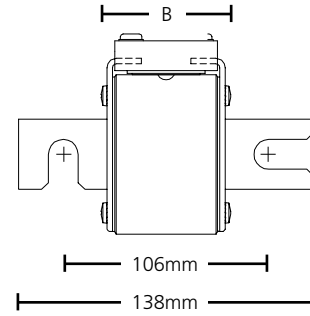
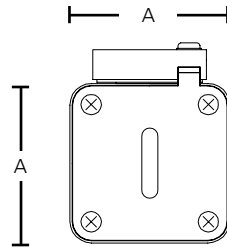
DIMENSIONS (mm)						
PART NO.	AMPS	SIZE	A	B	C	D
2068132	500-1600	3	73	49	51	M12
2068152	1800-2250	3	73	49	59	M12

Class aR for semiconductor protection

PART NO.	AMP	* VOLTAGE
2068132-500	500A	690V
2068132-550	550A	690V
2068132-630	630A	690V
2068132-700	700A	690V
2068132-800	800A	690V
2068132-900	900A	690V
2068132-1000	1000A	690V
2068132-1100	1100A	690V

PART NO.	AMP	* VOLTAGE
2068132-1250	1250A	690V
2068132-1400	1400A	690V
2068132-1500	1500A	600V
2068132-1600	1600A	600V
2068152-1800	1800A	550V
2068152-2000	2000A	550V
2068152-2250	2250A	550V

DIN110 Square Body (1250V)



SIZE 1



1250VAC*
ultra rapid (aR)

DIMENSIONS (mm)			
PART NO.	AMPS	A	B
2071532	50-630	51	70.5

Class aR for semiconductor protection

PART NO.	AMP	* VOLTAGE	PART NO.	AMP	* VOLTAGE
2071532-50	50A	1250V	2071532-315	315A	1250V
2071532-63	63A	1250V	2071532-350	350A	1250V
2071532-80	80A	1250V	2071532-400	400A	1250V
2071532-100	100A	1250V	2071532-450	450A	1250V
2071532-125	125A	1250V	2071532-500	500A	1100V
2071532-160	160A	1250V	2071532-550	550A	1100V
2071532-200	200A	1250V	2071532-630	630A	1100V
2071532-250	250A	1250V			

SIZE 2



1250VAC*
ultra rapid (aR)

DIMENSIONS (mm)			
PART NO.	AMPS	A	B
2072532	250-800	60	70.5

Class aR for semiconductor protection

PART NO.	AMP	* VOLTAGE	PART NO.	AMP	* VOLTAGE
2072532-250	250A	1250V	2072532-500	500A	1250V
2072532-280	280A	1250V	2072532-550	550A	1250V
2072532-315	315A	1250V	2072532-630	630A	1250V
2072532-350	350A	1250V	2072532-700	700A	1100V
2072532-400	400A	1250V	2072532-800	800A	1100V
2072532-450	450A	1250V			

SIZE 3



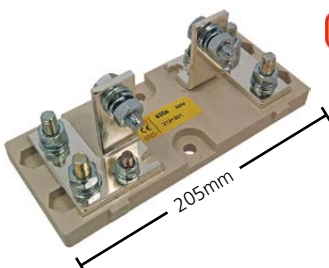
1250VAC*
ultra rapid (aR)

DIMENSIONS (mm)			
PART NO.	AMPS	A	B
2073532	315-1400	73	72

Class aR for semiconductor protection

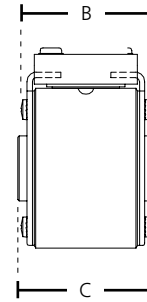
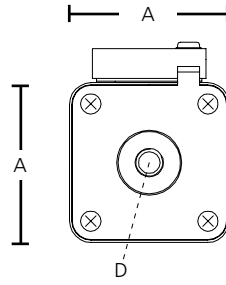
PART NO.	AMP	* VOLTAGE	PART NO.	AMP	* VOLTAGE
2073532-315	315A	1250V	2073532-700	700A	1250V
2073532-350	350A	1250V	2073532-800	800A	1250V
2073532-400	400A	1250V	2073532-900	900A	1000V
2073532-450	450A	1250V	2073532-1000	1000A	1000V
2073532-500	500A	1250V	2073532-1100	1100A	1000V
2073532-550	550A	1250V	2073532-1250	1250A	900V
2073532-630	630A	1250V	2073532-1400	1400A	900V

DIN110 fuse base



PART NO.	DESCRIPTION	AMP RATING	VOLTAGE RATING	PACK SIZE
2132301	Fuse Base with Bolted. Connections DIN Type	630A	1400V	1
2132302	Fuse Base with Bolted. Connections DIN Type	1250A	1400V	1

Ultra Rapid Flush End (1250V)



SIZE 1



1250VAC*
ultra rapid (aR)

DIMENSIONS (mm)						
PART NO.	AMPS	SIZE	A	B	C	D
2076132	50-630	1	51	70.5	73.5	M8

Class aR for semiconductor protection

PART NO.	AMP	* VOLTAGE	PART NO.	AMP	* VOLTAGE
2076132-63	63A	1250V	2076132-315	315A	1250V
2076132-80	80A	1250V	2076132-350	350A	1250V
2076132-100	100A	1250V	2076132-400	400A	1250V
2076132-125	125A	1250V	2076132-450	450A	1250V
2076132-160	160A	1250V	2076132-500	500A	1100V
2076132-200	200A	1250V	2076132-550	550A	1100V
2076132-250	250A	1250V	2076132-630	630A	1100V

SIZE 2



1250VAC*
ultra rapid (aR)

DIMENSIONS (mm)						
PART NO.	AMPS	SIZE	A	B	C	D
2077132	250-800	2	60	70.5	73.5	M10

Class aR for semiconductor protection

PART NO.	AMP	* VOLTAGE	PART NO.	AMP	* VOLTAGE
2077132-250	250A	1250V	2077132-500	500A	1250V
2077132-280	280A	1250V	2077132-550	550A	1250V
2077132-315	315A	1250V	2077132-630	630A	1250V
2077132-350	350A	1250V	2077132-700	700A	1100V
2077132-400	400A	1250V	2077132-800	800A	1100V
2077132-450	450A	1250V			

SIZE 3



1250VAC*
ultra rapid (aR)

DIMENSIONS (mm)						
PART NO.	AMPS	SIZE	A	B	C	D
2078132	315-1400	3	73	72	73.5	M12
2078152	1100-1600	3	73	82	91	M12

Class aR for semiconductor protection

PART NO.	AMP	* VOLTAGE	PART NO.	AMP	* VOLTAGE
2078132-315	315A	1250V	2078132-1000	1000A	1000V
2078132-350	350A	1250V	2078132-1100	1100A	1000V
2078132-400	400A	1250V	2078132-1250	1250A	900V
2078132-450	450A	1250V	2078132-1400	1400A	900V
2078132-500	500A	1250V	2078152-1100	1100A	1250V
2078132-550	550A	1250V	2078152-1250	1250A	1250V
2078132-630	630A	1250V	2078152-1400	1400A	1000V
2078132-700	700A	1250V	2078152-1600	1600A	900V
2078132-800	800A	1250V			